



D8 D6

OFF-HIGHWAY MULTI-VIEW DUMPER TRUCKS



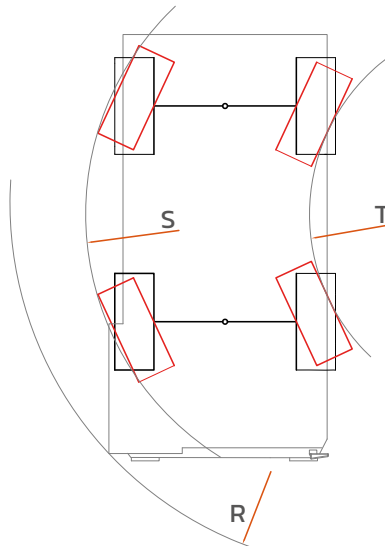
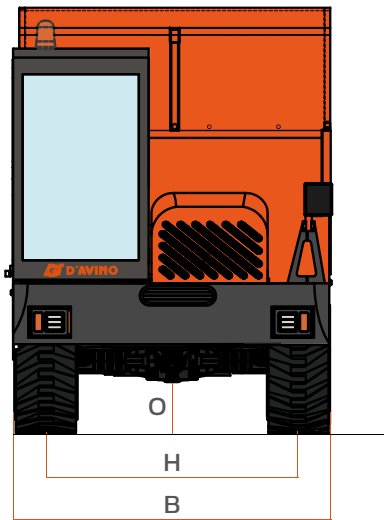
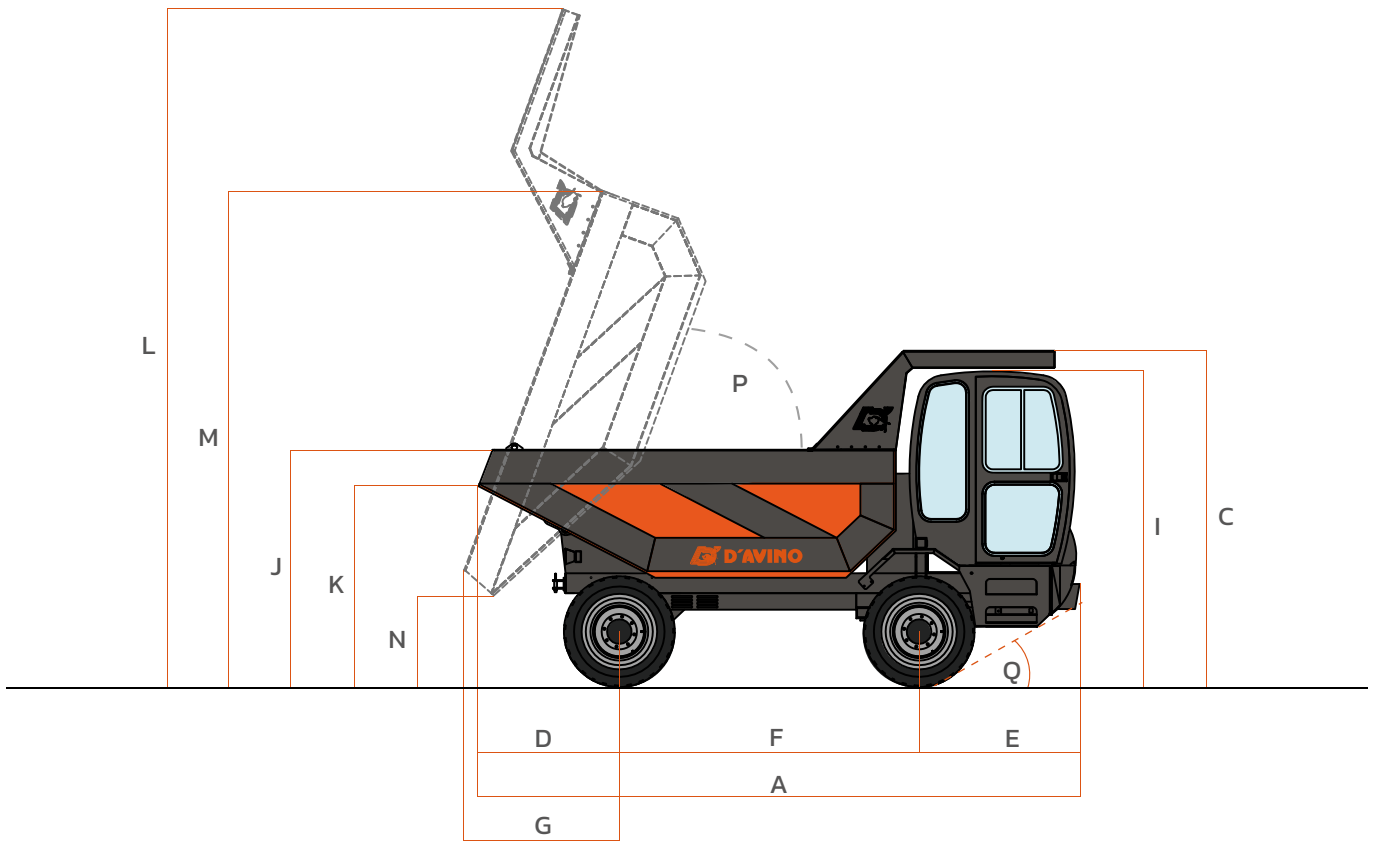
THE MOST COMPACT



Technical data

GENERAL DATA		D8	D6
Max load capacity	kg	8.000	6.000
Dump body water level capacity	l	3.200	3.200
Dump body struck capacity	l	4.600	4.600
Dump body heaped capacity	l	6.100	6.100
Unloading system		Rear	Rear
Drivers'seat		Rotating - Dual view	Rotating - Dual view
Frame		Fixed	Fixed
Empty weight	kg	5.100	5.100
Transmission		Hydrostatic	Hydrostatic
Cabin		Rops-Fops	Rops-Fops
*ENGINE			
Brand		Yanmar	Yanmar
Model		4TNV98CT-NYI2D	4TNV98CT-NYI2D
Power	kW	53,7	53,7
DRIVING			
Max speed	km/h	25 (40 opt.)	25 (40 opt.)
Gradeability	%	50	50
Turning radius	mm	4400	4400
Traction		AWS	AWS
Tyres		12.5/80-18 16 PR	12.5/80-18 16 PR
Axle oscillation lock		Optional	Optional
HYDRAULIC SYSTEM			
Hydraulic system		Duble gear pump	Duble gear pump
Working pressure	bar	180	180
ELECTRICAL SYSTEM			
Starter motor	V/kW	12/3	12/3
Battery	V/Ah	12/110	12/110
TANK CAPACITY			
Fuel	l	125	125
Hydraulic	l	125	125
BRAKES			
Service		Hydraulic acting on both axles	
Parking		Hydraulic acting on the rear axles	
APPROVALS			
Road approval (Italian)		Yes	Yes

*Stage IIIA engine available



	D8	D6
A	4645	4645
B	2000	2000
C	3170	3170
D	1230	1230
E	1285	1285
F	2130	2130
G	1490	1490
H	1665	1665
I	2780	2780
J	2280	2280
K	1865	1865
L	5530	5530
M	3560	3560
N	880	880
O	300	300
P	70°	70°
Q	31°	31°
R	4400	4400
S	4000	4000
T	2000	2000



AMOG srl | I-80031 Brusciano (NA) | Tel. +39 081 658 8361 | sales@davinogroup.biz

davinodumper.com